

# Temperature-proof housing

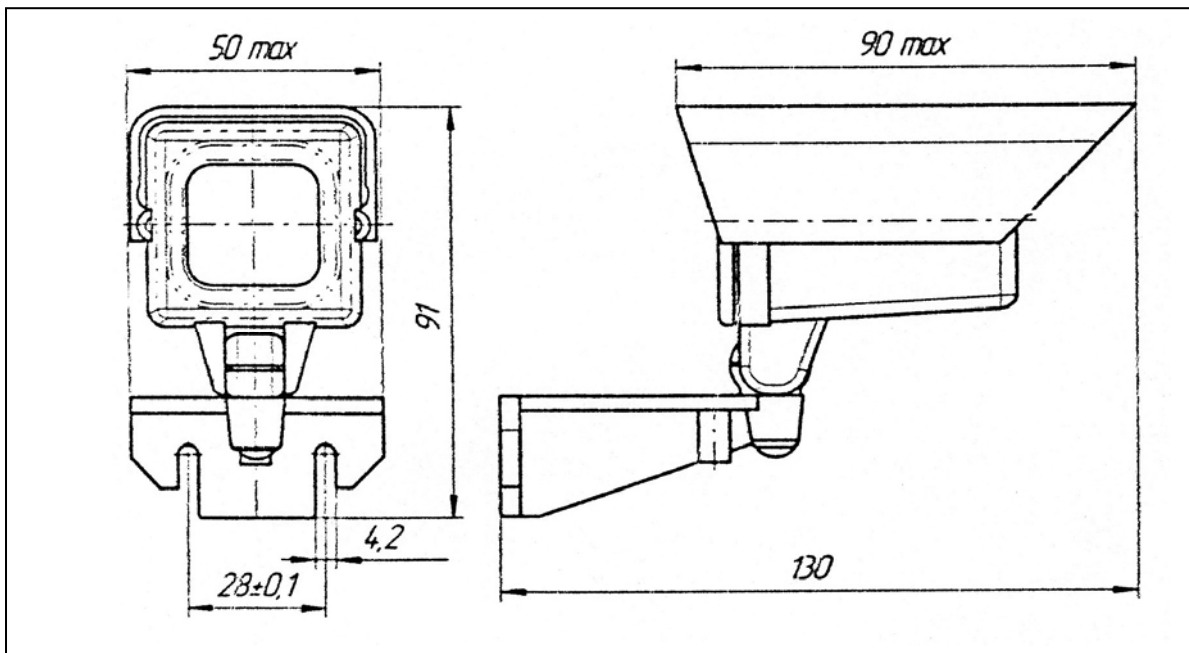
## TK-003



TK-003 protective case for module 30 x 30 x 30 mm  
(32 x 32 x 16 mm) with Pin-Hole M12 lens TV.

### Specifications

Heater supply voltage	V	12
Heater power consumption, max	W	5
Protection class	-	IP67
Operating temperature range	°C	-45 ... +45
Weight, max	g	120



Information could be subject to changes. For details please contact marketing department.

15.09.2011

[www.rmcp.ru](http://www.rmcp.ru)



**JSC "RYAZAN METAL CERAMICS INSTRUMENTATION PLANT"**

Russia, 390027, Ryazan, Novaya street, 51 «B»

**Marketing:** Tel./Fax: (4912) 24-02-34, e-mail: [marketing@rmcp.ru](mailto:marketing@rmcp.ru)

**Sales:** Fax: (4912) 24-02-34, 44-19-70, 44-68-07

