

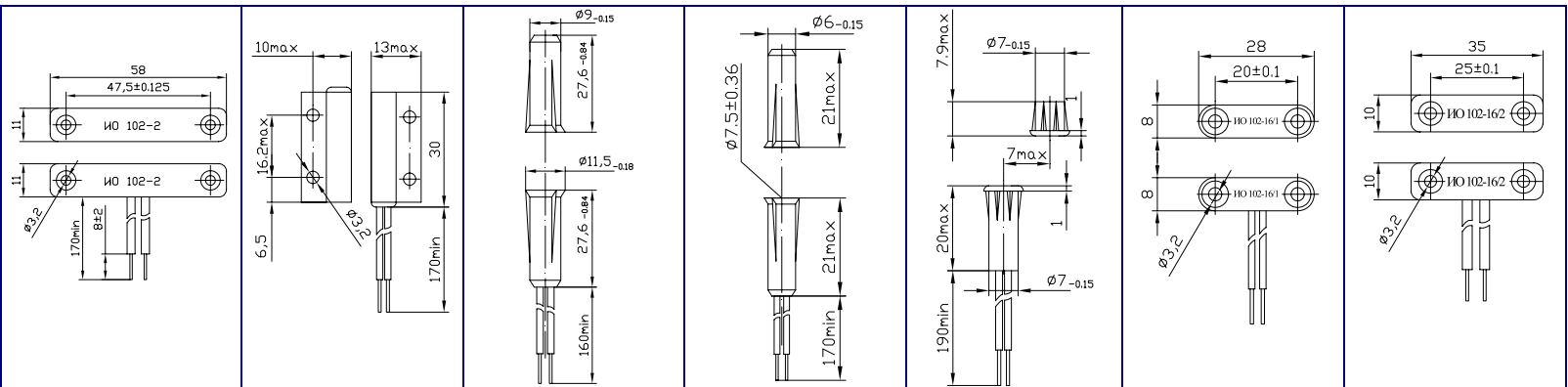
# JSC "RYAZAN METAL CERAMICS INSTRUMENTATION PLANT"

## Alarms

Security magnetically contact detector is designed for locking doorways and windows, arranging "trapping" medium as well as locking other elements of buildings with an alarm signal raised to a control panel, concentrator or central surveillance system by opening reed switch contacts.

Detector consists of a reed sensor and driving element (magnet) in plastic housing. It is designed for continuous operation.

Dimensions are given in millimeters



Name	IO 102-2	IO 102-4	IO 102-5	IO 102-15/1	IO 102-15/2	IO 102-16/1	IO 102-16/2
Switching current range, mA	0,1 - 250	0,1 - 250	0,1 - 250	0,1 - 250	0,1 - 250	5 - 250	0,1 - 250
Switching voltage range, V	0,05 - 72	0,05 - 72	0,05 - 72	0,05 - 72	0,05 - 72	0,01 - 75	0,05 - 72
Switching power, W, max	-	10	10	10	10	-	-
Life, min	1·10 <sup>6</sup> in regime of 0,25A – 30V	1·10 <sup>6</sup>	1·10 <sup>6</sup>	1·10 <sup>6</sup>	1·10 <sup>5</sup>	5·10 <sup>5</sup> in regime of 0,25A – 30V	1·10 <sup>6</sup> in regime of 0,25A – 30V
Output electrical resistance:							
• at closed contacts (at (100±10)mA), Ohms, max	0,5	0,5	0,5	0,5	0,5	0,5	0,5
• at open contacts, kOhms, min	200	200	200	200	200	200	200
If sensor and magnet are located parallel contacts should be:							
• closed – at the distance between them, mm	10 and less	10 and less	10 and less	10 and less	8 and less	8 and less	10 and less
• opened – at the distance between them, mm	45 and more	45 and more	45 and more	45 and more	45 and more	45 and more	45 and more
Allowable offset of sensor and magnet, mm, max	3	3	3	2	7	3	3
Insulation resistance between leads of sensor, Ohms, min:							
• in normal climatic conditions	5·10 <sup>6</sup>	5·10 <sup>6</sup>	5·10 <sup>6</sup>	5·10 <sup>6</sup>	5·10 <sup>6</sup>	-	5·10 <sup>6</sup>
• at high relative humidity 98%	2·10 <sup>5</sup>	2·10 <sup>5</sup>	2·10 <sup>5</sup>	2·10 <sup>5</sup>	2·10 <sup>5</sup>	-	2·10 <sup>5</sup>
Breakdown voltage between sensor leads and case, V <sub>AC</sub> / V <sub>DC</sub> , min	500 / 700	500 / 700	500 / 700	500 / 700	500 / 700	500 / 700	500 / 700
Operating temperature range, °C	-50 ... +50	-50 ... +50	-50 ... +50	-50 ... +50	-40 ... +45	-30 ... +50	-50 ... +50
High humidity at +25 °C, %, max	98 (at +25°C)	98 (at +35°C)	98 (at +35°C)	98 (at +35°C)	98 (at +25°C)	80 (at +35°C)	98 (at +25°C)
Vibration proof at 10 to 35 Hz, m/sec <sup>2</sup> (g), max	4,9 (0,5)	4,9 (0,5)	4,9 (0,5)	4,9 (0,5)	4,9 (0,5)	4,9 (0,5)	4,9 (0,5)
Failure free operation time, h, min	200000	200000	200000	200000	200000	-	200000
Life time, years, min	8	8	8	8	8	8	8
Sensor/magnet weight, g, max	7 / 14	8,8 all	5 / 8,5	2,1 / 2,1	2,33 / 1,13	2,5 / 2,3	4 / 8

Information could be subject to changes. For details please contact marketing department.

15.09.2011

[www.rmcp.ru](http://www.rmcp.ru)



**JSC "RYAZAN METAL CERAMICS INSTRUMENTATION PLANT"**  
 Russia, 390027, Ryazan, Novaya street, 51 «B»  
**Marketing:** Tel./Fax: (4912) 24-02-34, e-mail: [marketing@rmcp.ru](mailto:marketing@rmcp.ru)  
**Sales:** Fax: (4912) 24-02-34, 44-19-70, 44-68-07

